



PRODUCT RANGE

A wealth of equipment options

ipp Pump Products GmbH offers you rotary lobe pumps in the premium segment. We achieve this through our know-how established over many years and the combination of proven technique with innovative ideas.

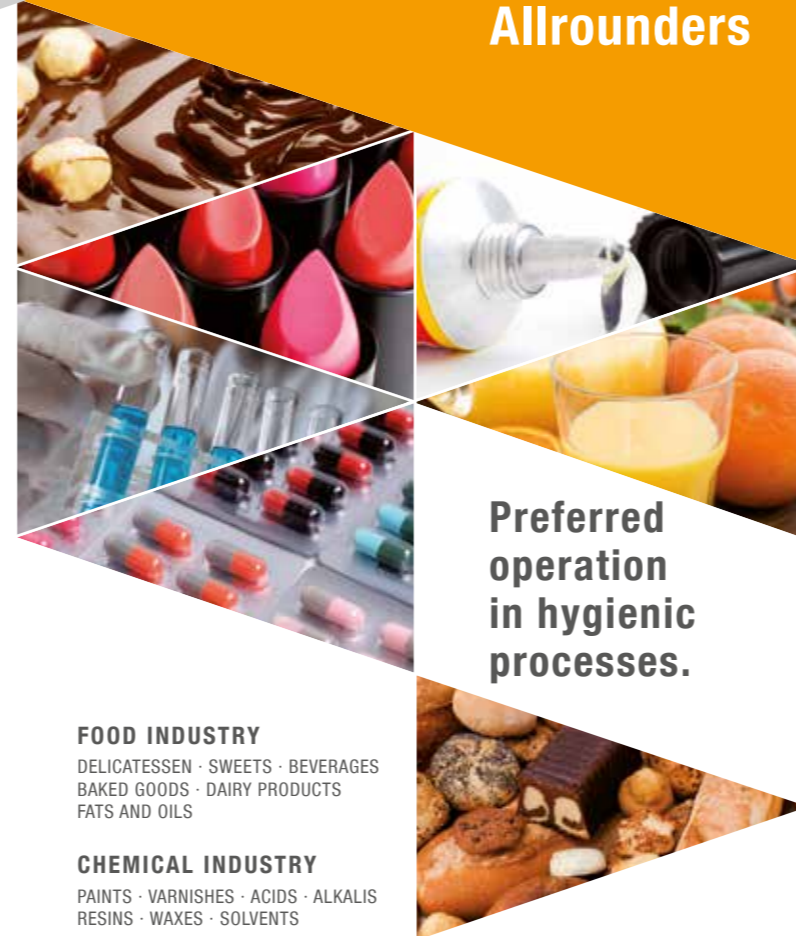
Consistent customer orientation expressed by solid standard specification, but also sophisticated individual solutions – these are our hallmarks.

Furthermore ipp offers you a range of accessories for a ready to run installation for any hygienic and non-hygienic processes as well as spare and wear parts for the long-term operation.

Our high performance products as well as maintenance and service activities tailored to match non-stop processes guarantee maximum customer satisfaction.

POWERFUL • FLEXIBLE • COMPETENT

Individual Allrounders



Preferred operation in hygienic processes.

FOOD INDUSTRY

DELICATESSEN · SWEETS · BEVERAGES
BAKED GOODS · DAIRY PRODUCTS
FATS AND OILS

CHEMICAL INDUSTRY

PAINTS · VARNISHES · ACIDS · ALKALIS
RESINS · WAXES · SOLVENTS

PHARMACEUTICAL INDUSTRY

OINTMENTS · SERUMS
PLANT EXTRACTS · RAW MATERIAL

COSMETICS INDUSTRY

LOTIONS · SHAMPOOS · SOAPS · GELS
PERFUME · LIPSTICKS · SUNSCREEN

BIOTECHNOLOGY

VACCINES · CELL CULTURES
BLOOD PLASMA · ULTRAFILTRATES

Experience leads to the perfect final product



Our products are certified in compliance with the most important industry standards, and we are proud of that. But it also represents an incentive for us to promote new developments.

After-Sales-Management

COMPREHENSIVE SERVICE

From the commissioning through the technical support and quick availability of original spare parts up to plant modernization and customer trainings.

SPARE AND WEAR PARTS

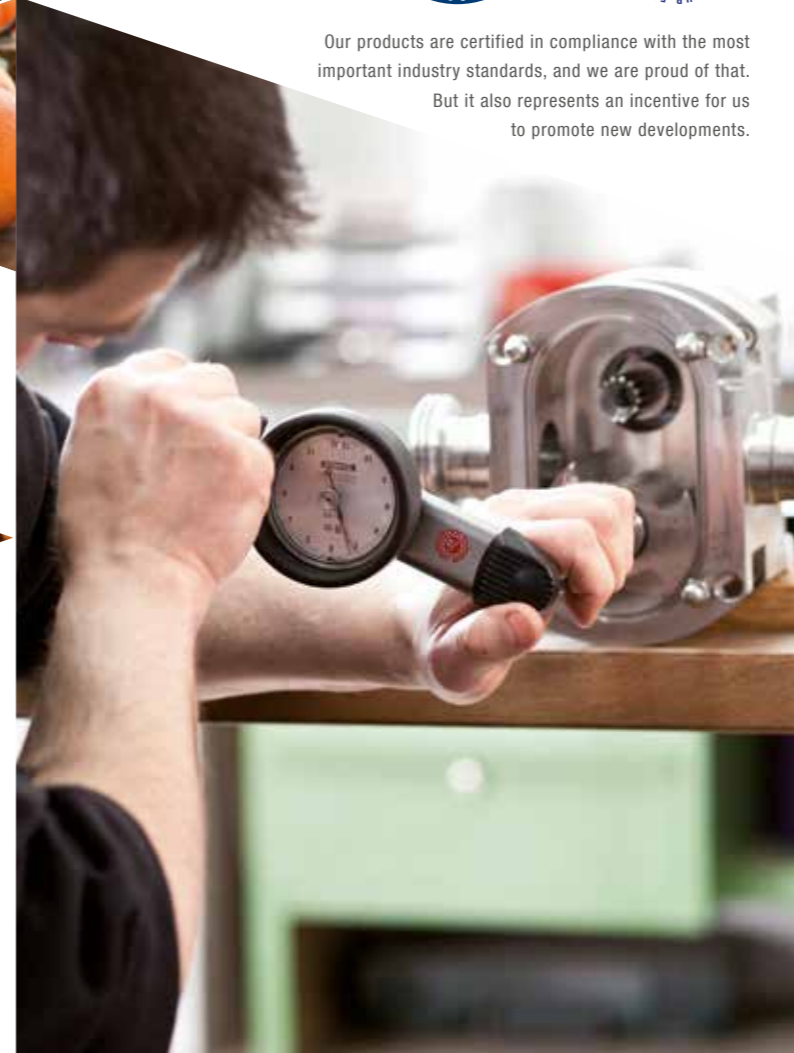
Within Germany or neighbouring EU countries we are able to supply within 24 h – depending on mode of shipment.

REPAIR INHOUSE

- damage analysis and repair concept
- binding estimate of costs
- short time repair in our plant
- 1-year guarantee after repair to new state
- use of genuine parts
- collection and delivery service
- rental or loan pumps for the time of repair available on request

REPAIR ON SITE

Depending on place of installation our competent specialists can be at your disposal already within 2 hours.





**We supply
Pumps all over
the world.**

At our premises near Osnabrück we manufacture Pumps for the German and international market.



**PUMP PRODUCTS
GMBH**

SOLUTIONS & TECHNOLOGY

Feldmühlenweg 6-10 | D-49593 Bersenbrück
Phone +49 (0) 54 39 - 80 921-0 | Fax +49 (0) 54 39 - 80 921-20
info@pump-products.de | www.pump-products.de

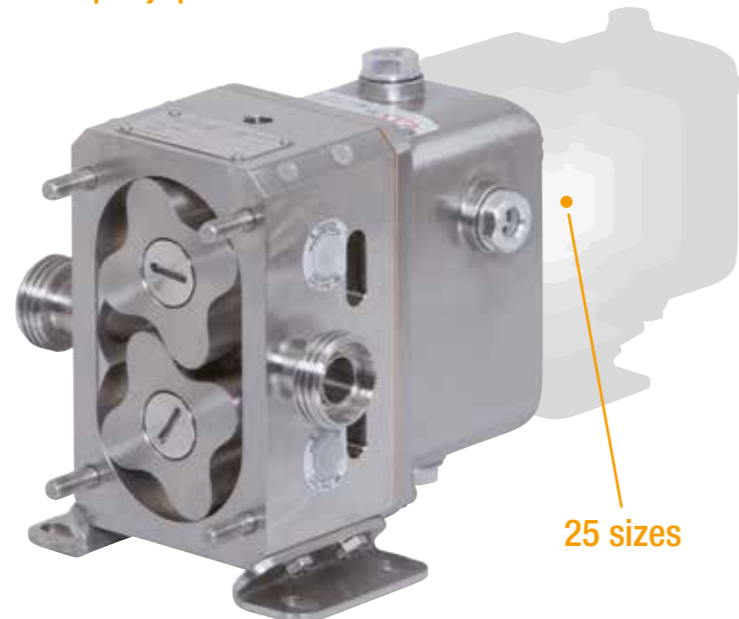
Rotary lobe pumps

PREMIUMLOBE

THE INDIVIDUAL CUSTOMER SOLUTION

The innovative concept among the rotary lobe pumps for the premium market. Maximum hygiene, easiest handling as well as highest functionality and performance have been realized by partly using new design details.

- premium basic execution
- any kind of customized special solutions
- wide range of application and functionality
- simplicity and best reparability
- compliance with foodstuff directive CE1935/2004
- maximum pressures of 15 to 80 bar
- capacity up to 163 m³/h

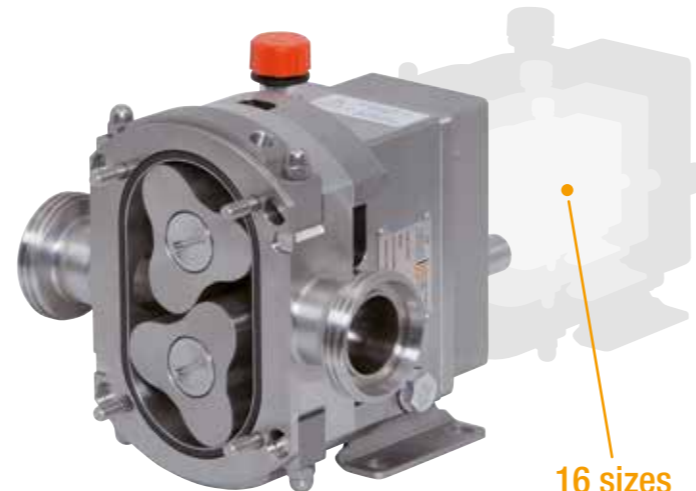


iLOBE

SMALL PREMIUM EDITION

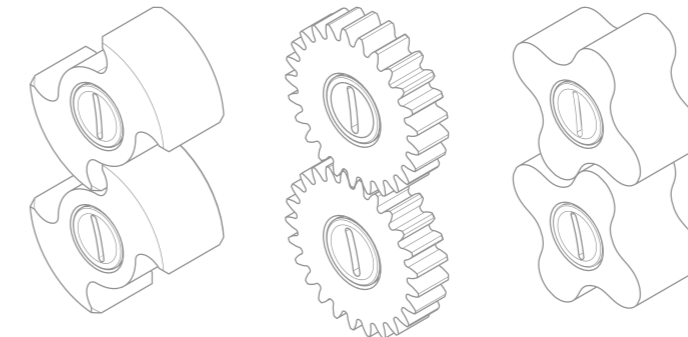
The modernity combined with economic efficiency and simplicity: The iLobe. New heating and sealing concepts are the particular strengths. The maximum differential pressure is 15 bars. Of course, the iLobe can be used for CIP/SIP applications without restrictions.

- patented integrated heat exchanger
- front loaded shaft seals
- particular suitability for chocolate and sugar products
- low acquisition cost and best reparability
- compliance with foodstuff directive CE1935/2004
- maximum pressures of 15 bar
- capacity up to 70 m³/h

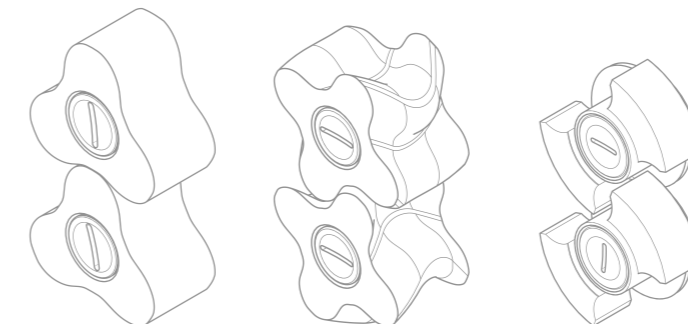


**PUMP PRODUCTS
GMBH**

SOLUTIONS & TECHNOLOGY



Rotor Options



iLOBE KK

CIRCUMFERENTIAL PISTON PUMP

The model range iLobe can be executed as rotary piston pump if solid parts up to a size of 36 mm should be handled.

- 7 sizes
- maximum pressures up to 15 bar
- capacity up to 70 m³/h

